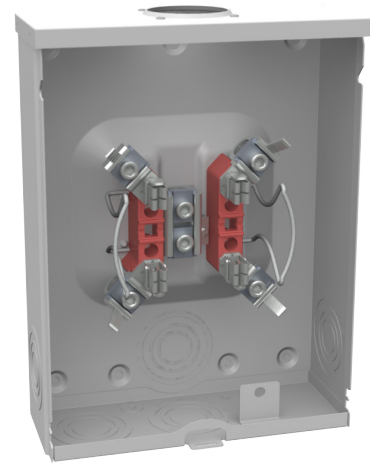




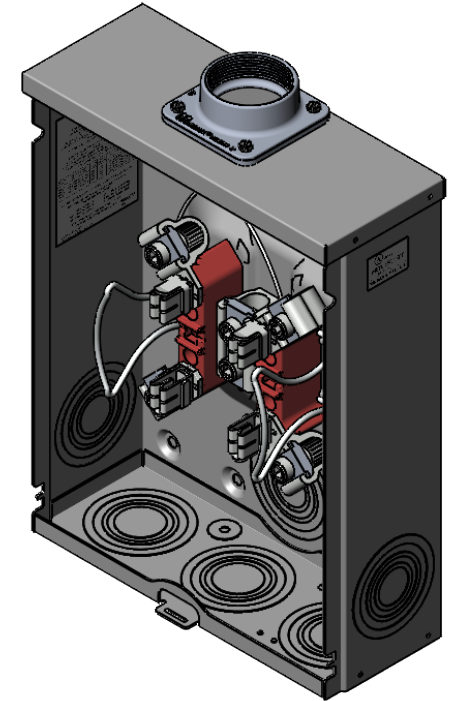
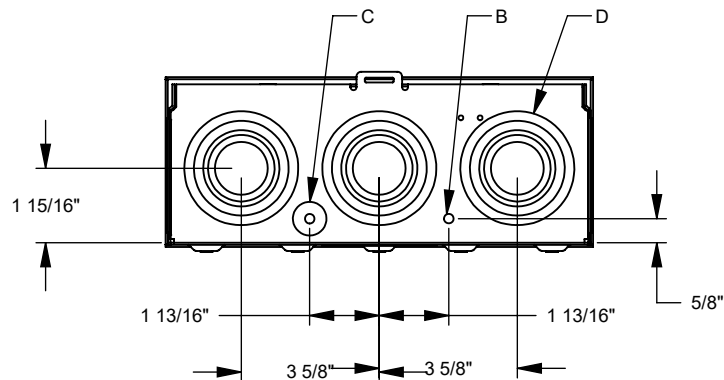
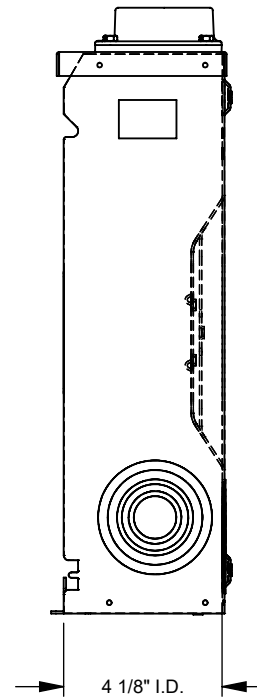
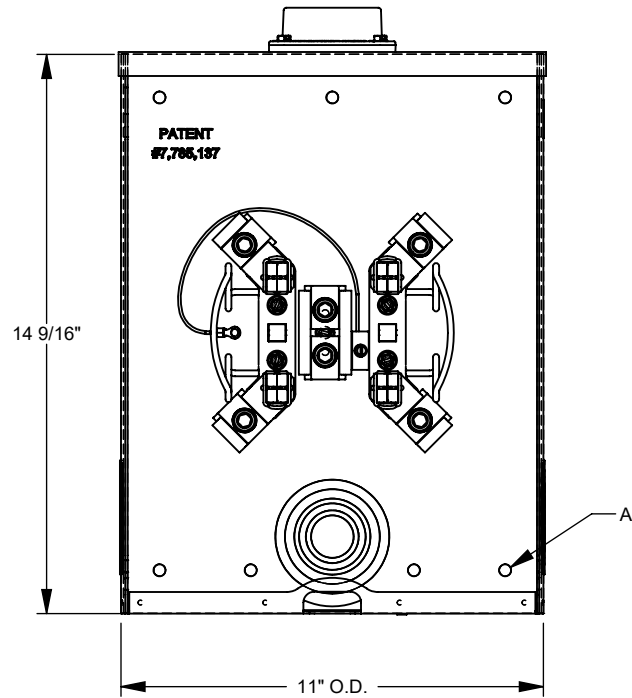
# U7040-RL-TG-KK-BLG



<b>Catalog Number</b>	U7040-RL-TG-KK-BLG	<b>Mounting</b>	Surface Mount
<b>Marketing Product Description</b>	4 Terminal Ringless Small Hub Open Triplex Ground Horn Bypass 7-8 In Barrel Lock Ground With Bracket Provision	<b>Enclosure</b>	G90 Galvanized Steel with Powder Coat Finish
<b>UPC</b>	784572709140	<b>Jaw Quantity</b>	4 Terminal
<b>Length (IN)</b>	4.125	<b>Bypass Type</b>	Horn Bypass
<b>Width (IN)</b>	11	<b>Number of Meter Positions</b>	1 Position
<b>Height (IN)</b>	14.563	<b>Equipment Ground</b>	Triplex Ground
<b>Brand Name</b>	Milbank	<b>Hub Opening</b>	Small Hub Opening
<b>Type</b>	Ringless Meter Socket	<b>Line Side Wire Range</b>	6 AWG - 350 kcmil
<b>Application</b>	Meter Socket	<b>Load Side Wire Range</b>	6 AWG - 350 kcmil
<b>Standard</b>	UL Listed;Type 3R	<b>Barrel Lock Provision</b>	7/8 Inch Knockout and Angle Bracket For Barrel Lock Provision
<b>Voltage Rating</b>	600 Volts Alternating Current	<b>Number Of Receptacles</b>	0
<b>Amperage Rating</b>	200 Continuous Ampere		
<b>Phase</b>	1 Phase		
<b>Frequency Rating</b>	60 Hertz		
<b>Size</b>	4.125L x 11W x14.563H		
<b>Number Of Cutouts</b>	0		
<b>Cutout Size</b>	No Main Breaker		
<b>Cable Entry</b>	Overhead or Underground		
<b>Terminal</b>	Lay in		
<b>Insulation</b>	Glass Polyester		

Please consult serving utility for their requirements prior to ordering or installing, as specifications and approvals vary by utility and may require local electrical inspector approval. All installations must be installed by a licensed electrician and must comply with all national and local codes, laws and regulations. Milbank reserves the right to make changes in specifications and features shown without notice or obligation.

FEATURE TABLE		
ITEM	QTY	DESCRIPTION
A	7	U/L MNTG.EMBOSS
B	1	¼ SOLID K.O.
C	1	¼, ½ CONC. K.O.
D	6	¾, 1, 1¼, 1½, 2, 2½ CONC. K.O.



Version:

1

All dimensions are +/- 1/16".  
Drawing views are not to scale.

Please consult serving utility for their requirements prior to ordering or installing, as specifications and approvals vary by utility, and may require local electrical inspector approval. All installations must be installed by a licensed electrician and must comply with all national and local codes, laws and regulations. Milbank reserves the right to make changes in specifications and features shown without notice or obligation.